

# CLEAR2THERE BODY TEMPERATURE MEASUREMENT CAMERA

## C2BTDUALCAM

The Clear2there Body Temperature Measurement Camera is designed to help protect against pathogenic community spread by pre-screening individuals before they enter a facility. As a screening tool, it can be used to quickly and accurately identify individuals with elevated skin temperature when compared to a customizable reference temperature. The C2BTDUALCAM supports rapid temperature screening and offers a wide variety of deployment environment applications, including:

- Public transit facilities
- Hospitals, health clinics, nursing homes and assisted living facilities
- Schools
- Manufacturing facilities, processing plants and warehouses
- Correctional institutions
- Construction sites

## KEY FEATURES

- On-board temp-detection algorithm
- One IP address two channels
- Effective pixels 400×300
- Sensitivity  $\leq 40\text{mK}$
- Thermal: 8mm fixed lens, Visible: 2.7~12mm motorized lens
- Accuracy  $\pm 0.3^{\circ}\text{C}$
- Body temperature measurement up to 30 targets
- Response time  $\leq 30\text{ms}$
- 17 color control



**CLEAR2THERE**  
2904 West 10th Street  
Sioux Falls, SD 57104

Tel: 605.777.7006  
Email: [info@clear2there.com](mailto:info@clear2there.com)  
Web: [www.clear2there.com](http://www.clear2there.com)

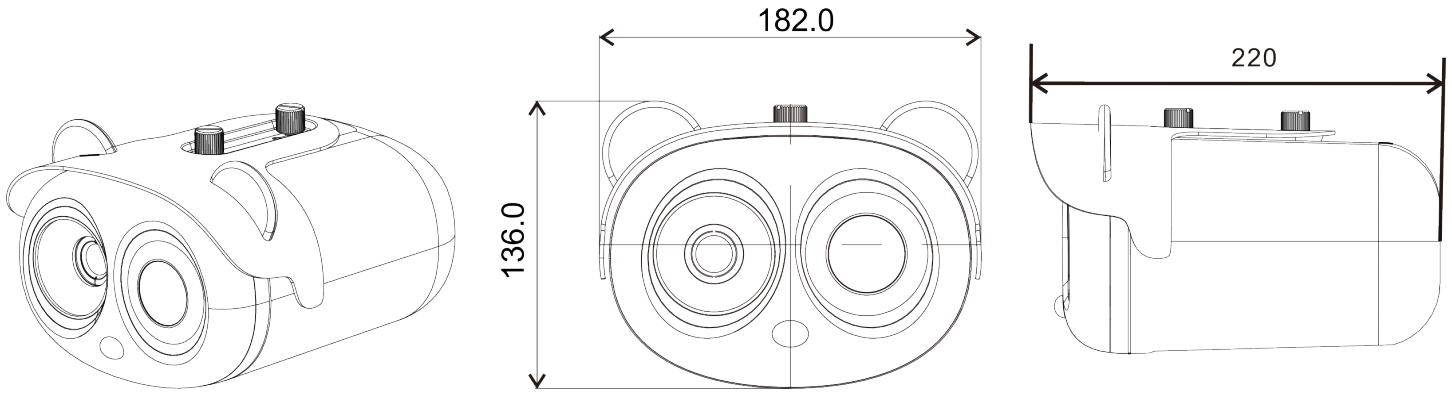
# TECHNICAL SPECIFICATIONS

Thermal Camera	
Detector Type	Uncooled IRFPA Microbolometer
Effective Pixels	400(H) × 300(V)
Pixel Size	17µm
Thermal Sensitivity (NETD)	≤40mK @F1.0, 300K
Spectral Range	8~14µm
Image Setting	Polarity LUT/ DVE/ Mirror/ FCC/ /3D DNR Brightness/Contrast/ ROI
Color Palettes	Black-Heat /White-Heat/Rainbow/Iron-Red up to 17 modes
Thermal Lens	
Lens Type	Fixed
Focus Control	Manual Focus
Focal Length	8mm
F No.	F1.0
Angle of View	H: 46°, V: 35°
Visible Camera	
Image Sensor	1/2.8" Sony CMOS
Effective Resolution	1920(H)×1080(V)
Shutter Speed	1/5 ~ 1/20,000s
Wide Dynamic Range	True WDR 120dB
Min. Illumination	Color: 0.1Lux @(F1.2, AGC ON) B/W: 0.01Lux @(F1.2, AGC ON)
S/N Ratio	More than 55dB
Focal Length	2.7 ~ 12mm
Max Aperture	F1.6~ F2.9
Angle of View	105° ~ 32°
Focus Control	Motorized
Video & Audio	
Compression	H.265, H.264, MJPEG
Frame Rate	Main Stream: Visible: 1920×1080/1280×720 @25/30fps Thermal: D1 @25/30fps Sub Stream: Visible: D1/VGA/640×360/CIF/QVGA @25/30fps Thermal: CIF @25/30fps
Bit Rate Control	CBR/VBR
Bit Rate	Main Stream: Thermal: 100Kbps~6Mbps Visible: 100Kbps~12Mbps Sub Stream: Thermal: 10Kbps~1.5Mbps Visible: 10Kbps~6Mbps
Region of Interest	Off / On (8 Zone, Rectangle)
Digital Zoom	16x
Mirror	Support
Defog	Support
Motion Detection	Support
Privacy Masking	Off / On (4 Area, Rectangle)
DVE Image Enhance	Support
Audio Compression	G.711, RAW_PCM

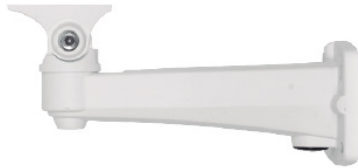
Intelligence	
Intelligent Functions	Motion detection, Disk alarm, I/O alarm, Temperature alarm
IVS	Smart Body Detection, Perimeter, Single Virtual Fences, Double Virtual Fences, Object Left, Object Removed
Temperature Detection	
Detection Mode	Body temperature monitoring
Detection Preset	Max 30 goals
Temperature Alarm	Over temperature alarm
Accuracy	± 0.3°C (Emission rate, distance, ambient temperature, etc.) with blackbody Detection Distance: 3~5m (4m recommended). Working Environment: Avoid the interference of wind, sunshine, high temperature and reflective objects, indoor is recommended
Response Time	≤30ms
Theory of Temperature Measurement Range	-20°C ~ 60°C (-4°F ~ 140°F)
Network	
Ethernet	RJ-45 (10/100Base-T)
Protocols	IPv4/IPv6 ,HTTP,RTSP/RTP/RTCP, TCP/UDP, DHCP, DNS, PPPOE, SMTP, SIP ,802.1x
Interoperability	ONVIF, CGI, SDK
Streaming Method	Unicast
Max. User Access	10 Users
Edge Storage	Local PC for instant recording Micro SD card 128GB
Web Viewer	<IE11, Chrome, Firefox
Web Language	English, Chinese, Polish, Italian, Portuguese, Spanish, Russian, French, Czech, Hungarian
Interface	
Ethernet	1 Ethernet (10/100 Base-T) RJ-45 Connector
Audio Interface	1ch Audio In, 1ch Audio Out
Alarm	2ch Alarm In, 2ch Alarm Out
RS485	Support
BNC Output	N/A
Reset Button	Support (Built-in)
General	
Power Supply	DC12V/POE (IEEE 802.3af)
Power Consumption	Max 10W
Operating Temperature	-30°C~60°C(-22°F~140°F)
Storage Conditions	0~ 90% RH
Certifications	CE /FCC
Ingress Protection	IP66
Casing	Metal
Dimensions	212×182×136mm
Net Weight	2.1Kg

Design and specifications are subject to change without notice.

## DEVICE DIMENSIONS (mm)



## ACCESSORIES



**C2BTB CAMWMT**  
Wall Mount (works with Camera and Blackbody)



**C2BTB CAMCMT**  
Ceiling Mount (works with Camera and Blackbody)



**C2BTB TRIPOD**  
Tripod (works with Camera and Blackbody)

## C2BTB BODY - Portable Blackbody

The C2BTB BODY Portable Blackbody calibration device maintains a customizable constant temperature as a reference point for the Clear2there Body Temperature Measurement Camera.



**C2BTB BCMT** - Blackbody Ceiling Mount

General Specifications	
Temperature Range	30.0°C ~ 50.0°C
Emissive Area	72mm×72mm
Temperature Resolution	0.01°C
Accuracy	±0.2°C (@Factory calibration, ambient temperature 23°C ± 5°C)
Stability	±0.15°C/10min
Emissivity	0.97±0.02
Power Supply	DC24V
Operating Ambient Temp	0°C~40°C / (20~90) %RH
Dimension	180mm(L)×110mm(W)×110mm(H)
Weight	About 1.4kg

The Clear2there Body Temperature Measurement System is not a medical device and is not designed for diagnosis, prevention, or treatment of any disease or condition. The solution is a screening tool that can be used to identify individuals with elevated skin temperature compared to a customizable reference temperature.



**CLEAR2THERE**  
2904 West 10th Street  
Sioux Falls, SD 57104

Tel: 605.777.7006  
Email: info@clear2there.com  
Web: www.clear2there.com