



CLEAR2THERE BODY TEMPERATURE SCREENING TERMINAL



The Clear2there Body Temperature Screening Terminal performs non-contact temperature measurement and supports face mask detection and facial recognition, helping to prevent pathogenic community spread by pre-screening individuals before they enter a facility. As a screening tool, the tablet-based device is optimized to conduct rapid skin surface temperature measurement, and offers a wide variety of deployment environment applications, including:

- Public transit facilities
- Hospitals, health clinics, nursing homes and assisted living facilities
- Schools and campuses
- Manufacturing facilities, processing plants and warehouses
- Correctional institutions
- Construction sites

KEY FEATURES

- Non-contact temperature measurement
- Temperature measuring range: 30 °C to 45 °C (86 °F to 113 °F)
- Temperature measuring accuracy: 0.1 °C, deviation: ± 0.3 °C
- Temperature measuring distance: 0.3 to 1.2m, response speed: ≤ 100 ms
- Face recognition distance: 0.3 to 2.0m (1 to 6.5 ft)
- Voice prompt trigger and door status (open/close) configuration when abnormal temperature detected
- Face recognition duration ≤ 0.2 s per face, face recognition accuracy rate $\geq 99.8\%$
- 30,000 face capacity, 60,000 event capacity
- Displays temperature measurement results on the screen
- 7-inch IPS HD display, video lag-free, ghost-free
- Suggested height for face recognition: between 1.2 and 2.2m (3.9 and 7.2 ft)
- Support I/O, WG26, WG34, RJ45, USB, door lock interfaces



CLEAR2THERE
2904 West Russell Street
Sioux Falls, SD 57107

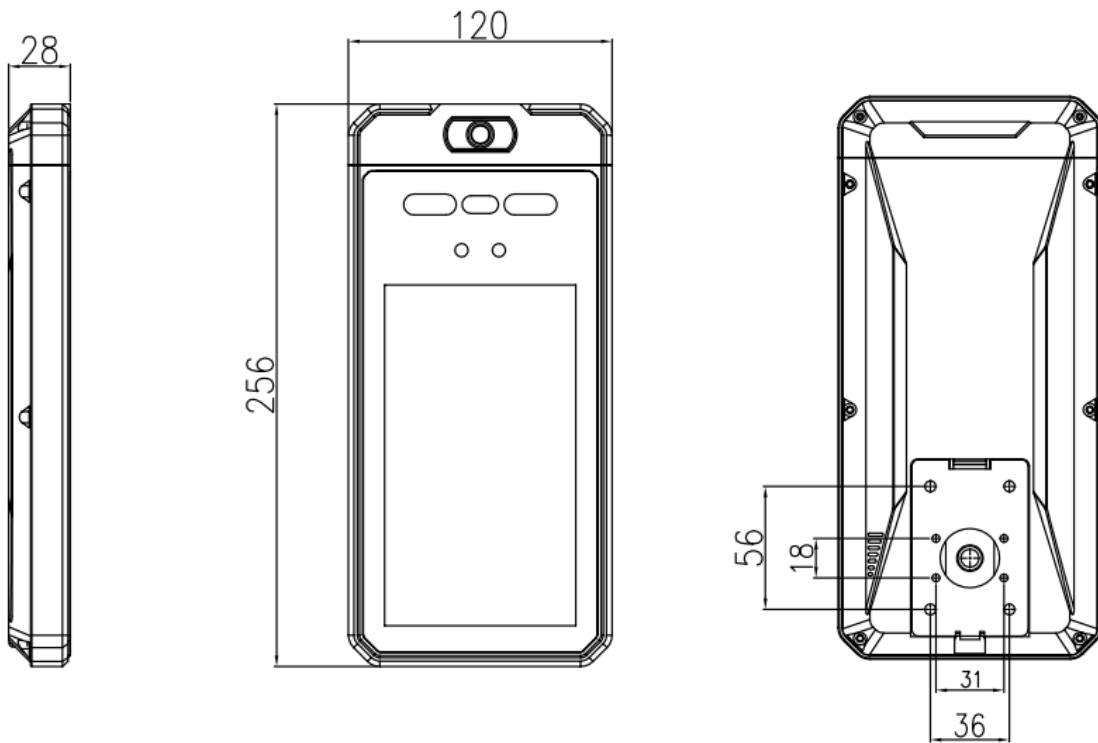
Tel: 605.777.7006
Email: info@clear2there.com
Web: www.clear2there.com

TECHNICAL SPECIFICATIONS

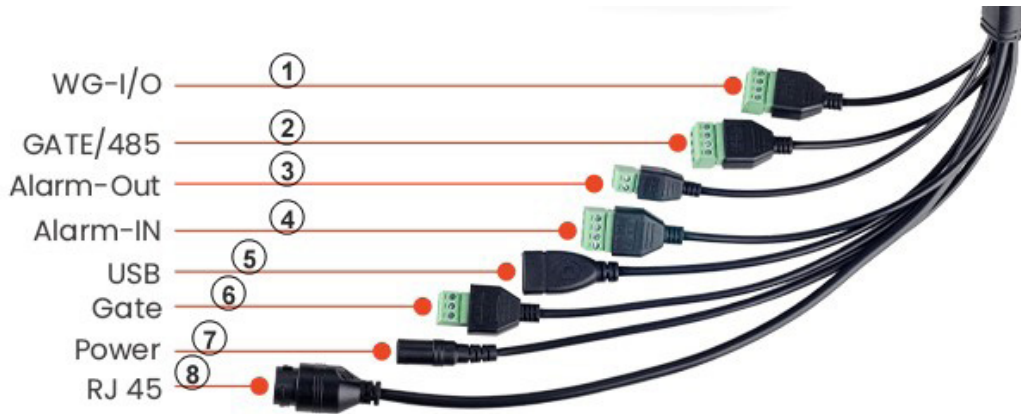
Temperature Measurement	
Temperature Range	30 °C to 45 °C (86 °F to 113 °F)
Sensor	Uncooled Microbolometer
Resolution	120 × 90
Measurement Deviation	±0.3 °C, Environment temperature: 20 °C ~ 35 °C (68 °F ~ 95 °F), no airflows indoor
Measurement Accuracy	0.1 °C
Measuring Distance	0.3 to 1.2m (0.98 to 3.94 ft)
Response Speed	≤ 100ms
Basic	
Display	7-inch display
Camera	Dual-lens
Sensor	1/2.8" 2MP Progressive Scan CMOS
WDR	120dB
Light Compensation	Auto white light, auto IR light
Storage Capacity	RAM: 1GB, EMMC: 8GB
Function	
Authentication Mode	Face, body temperature, mask detection optional
Face Recognition Distance	0.3 to 2.0m (0.98 to 6.56 ft)
Face Anti-Spoofing	Support
Audio Prompt	Support
Face Recognition Accuracy	≥ 99.8%
Face Recognition Time	< 0.2s
Face Image Capacity	30,000
Record Capacity	60,000 event capacity
Interface	
Ethernet	1 RJ45 10M/100M Ethernet port
Alarm	3-ch alarm input, 1-ch alarm output
Wiegand Input	1 (Support peripheral card reader)
Wiegand Output	1 (WG26, WG34)
USB	1 USB2.0 port
Door Lock Output	1 (Switch quantity)
General	
Power Supply	12V 2A DC
Power Consumption	Max 8 W
Working Temperature	0 °C to 50 °C (32 °F to 122 °F) For temperature measurement: 20 °C ~ 35 °C (68°F ~ 95°F)
Working Humidity	0 ~ 90%, no condensing
Dimensions (L× W×H)	120 × 28 × 256mm (4.72 × 1.10 × 10.08 inch)
Net Weight	1 kg (2.2 lb)

Design and specifications are subject to change without notice.

DEVICE DIMENSIONS (mm)



INTERFACE



Number	Interface	Notes
1	WG I/O	Wiegand control interface and DC12V power output interface
2	GATE/485	1-ch switching signal output and RS485 interface (reserved)
3	Alarm Out	1-ch alarm output interface
4	Alarm In	3-ch alarm input interface
5	USB	ID card reader (USB 2.0)
6	Gate	Door lock switching signal
7	Power	Power connector
8	RJ45	Network interface

CLEAR2THERE BODY TEMPERATURE SCREENING TERMINAL BASE SYSTEM & ACCESSORIES



C2BTTAB

Non-Touch NDAA-Compliant Body Temperature Tablet Base System

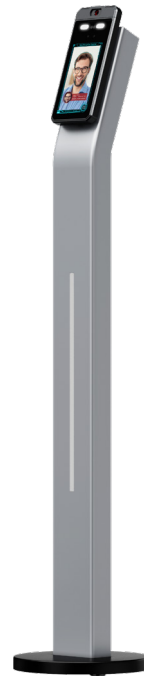
Includes wall mount and gate mount plates, two hours installation support, and one-year warranty.



C2BTTABTT

Table Top Bundle

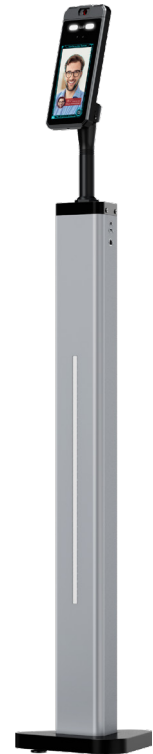
Includes base system (C2BTTAB), table top stand (C2BTABTTST), two hours installation support, and one-year warranty.



C2BTTABWMS426

Gate Mount Stand Bundle

Includes base system (C2BTTAB), 4.26-foot stand (C2BTABTGATEST), two hours installation support, and one-year warranty.



C2BTTABGMS36

Wall Mount Stand Bundle

Includes base system (C2BTTAB), 3.6-foot stand (C2BTABWALLST), two hours installation support, and one-year warranty.



CLEAR2THERE
2904 West Russell Street
Sioux Falls, SD 57107

Tel: 605.777.7006
Email: info@clear2there.com
Web: www.clear2there.com